

TECHNICAL DATASHEET

Centrifuge Tubes 50 ml - 7 696 930

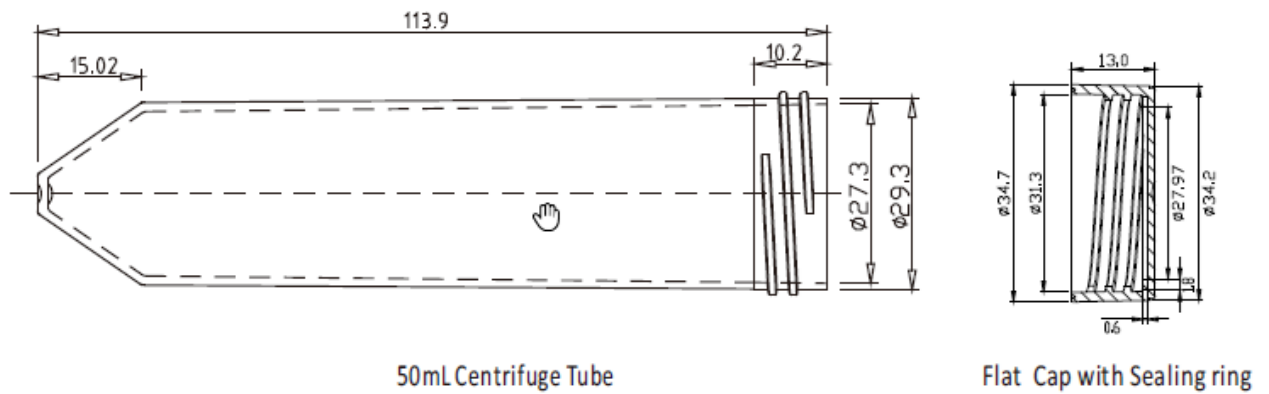
Feature:	
Description	Centrifuge tube with cap and sealing ring, screwed, in bags
Dimension	See technical drawing
Volume	Working volume: 50 ml
Material	Tube: Polypropylene (PP) Cap: High density polyethylene (HDPE) Sealing ring: Thermoplastic Elastomer (TPE)
Color	Tube translucent, black graduation, white writing area Cap: turquoise Sealing ring: gray
Sterilization	Gamma sterilized SAL 10 ⁻⁶ (ISO11137)
Usage	For single use only
Temperature range	Tube: - 80°C to +121 °C Cap: - 80°C to +121 °C
Autoclavable	Tube: Yes Cap: Yes
Purity	DNase and RNase free
	Non-pyrogenic
Centrifugation, max RCF	20,000 x g
Packaging	
Pieces per bag	25
Pieces per box	500

Revision - 02.08.2022

TECHNICAL DRAWING

Centrifuge Tubes 50 ml

Centrifuge tube 50 ml



Revision: 02.08.2022