

## Technical drawings of LABSOLUTE® wide mouth bottles

V ml	V <sub>max</sub> ml	m g	h mm	Ø <sub>out</sub> bottle mm	Ø <sub>out</sub> closure mm	Ø <sub>in</sub> closure mm	S mm
30	35	13	62	34,8	32,18	28	0,8
60	65	16	85	39,5	32,18	28	0,8
125	140	26	100	50,5	42,5	38	0,8
250	290	37	130	61,5	45,76	43	0,8
500	550	56	167	73	58,38	53	1,2
1.000	1.030	101	199	91,5	68,5	63	1,2

### Description of the abbreviations in the value table:

V	Nominal volume of the bottle
V <sub>max</sub>	Maximum filling volume of the bottle
m	Weight of the bottle incl. screw cap
Ø <sub>out</sub> closure	Outer diameter of the screw cap
Ø <sub>in</sub> closure	Inner diameter of the screw cap
Ø <sub>out</sub> bottle	Outer diameter of the bottle
S	Wall thickness of the bottle

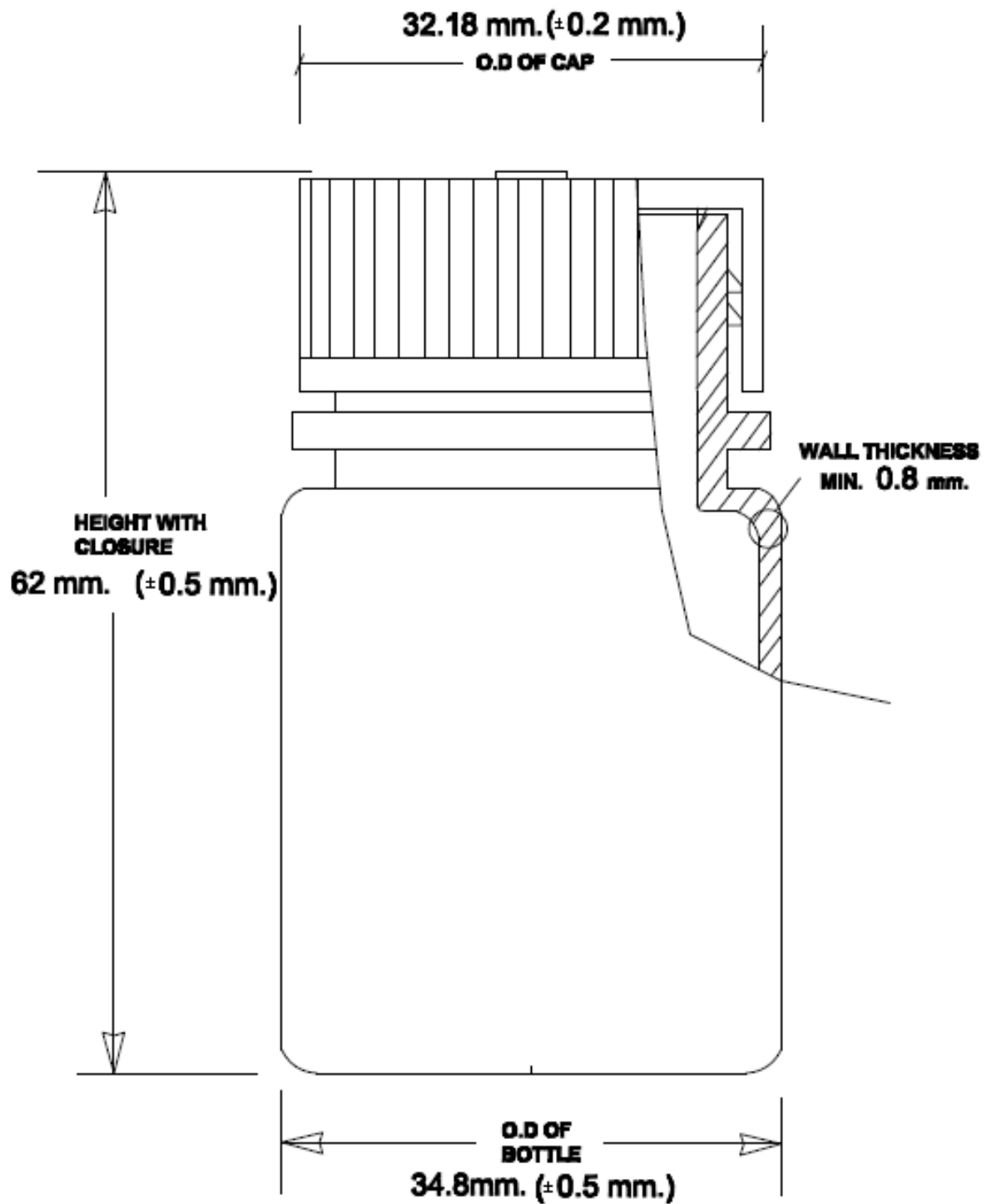
Please find the units of the different values in the headline below the description..

### Description of the abbreviations in the technical drawings:

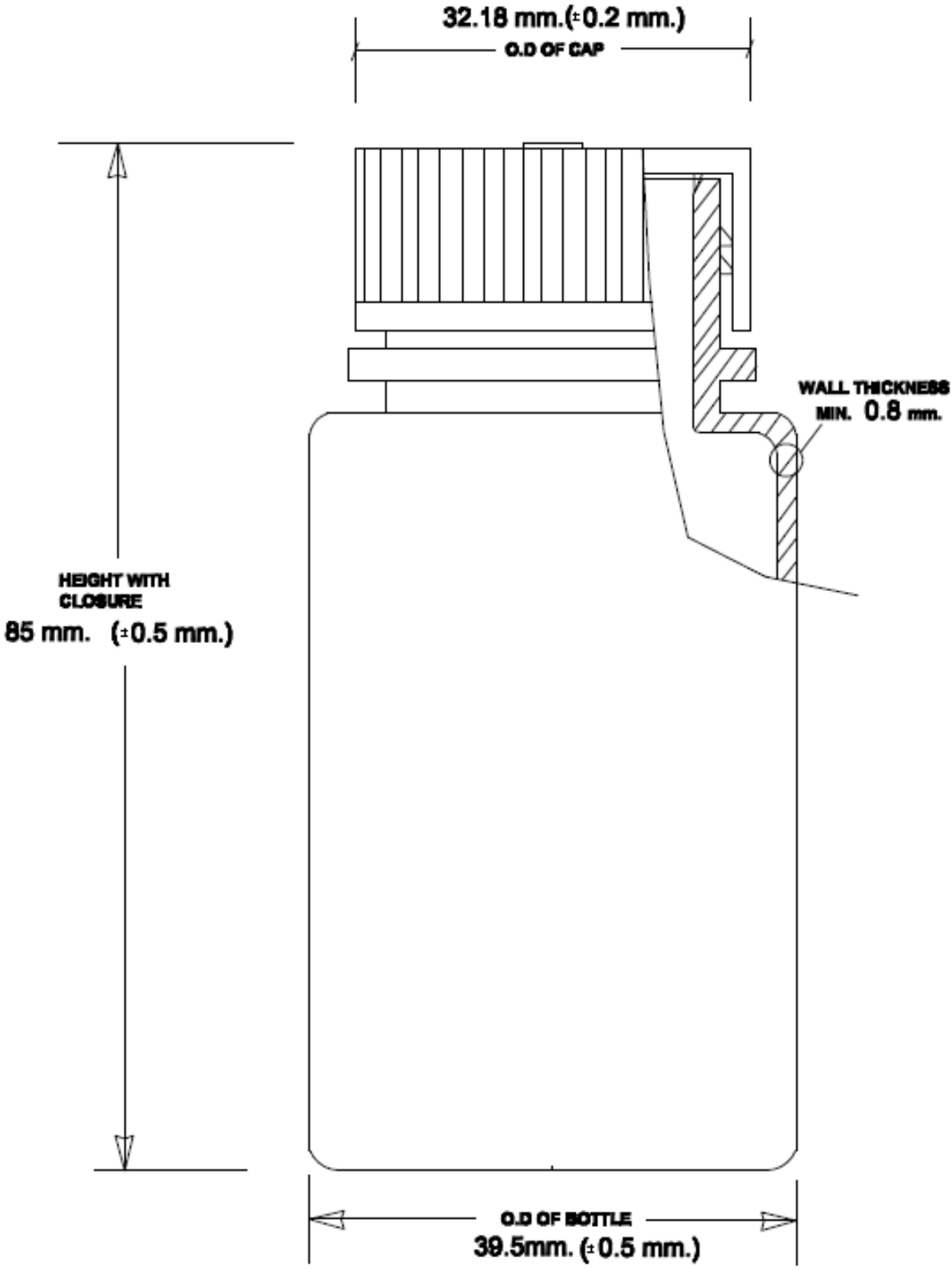
O.D. Cap	Outer diameter of the screw cap
O.D. Bottle	Outer diameter of the bottle
Height with Closure	Height of the bottle incl. screw cap
Wall thickness	Wall thickness of the bottle

All values in the technical drawings are given in millimeter. Allowed tolerances are written in brackets. The deviation can decrease or increase the nominal value.

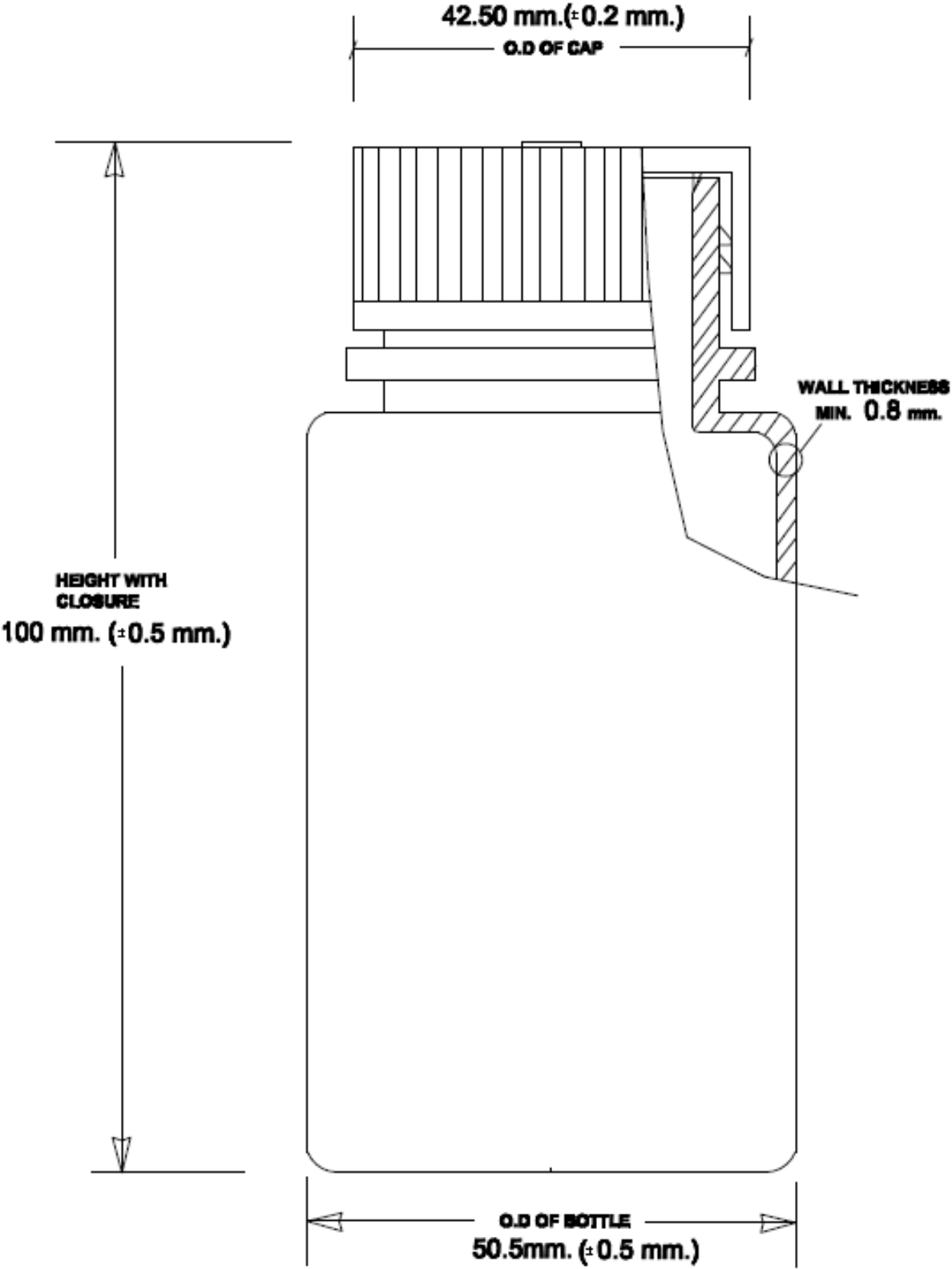
30 ml wide mouth bottle made of LDPE, HDPE and PP



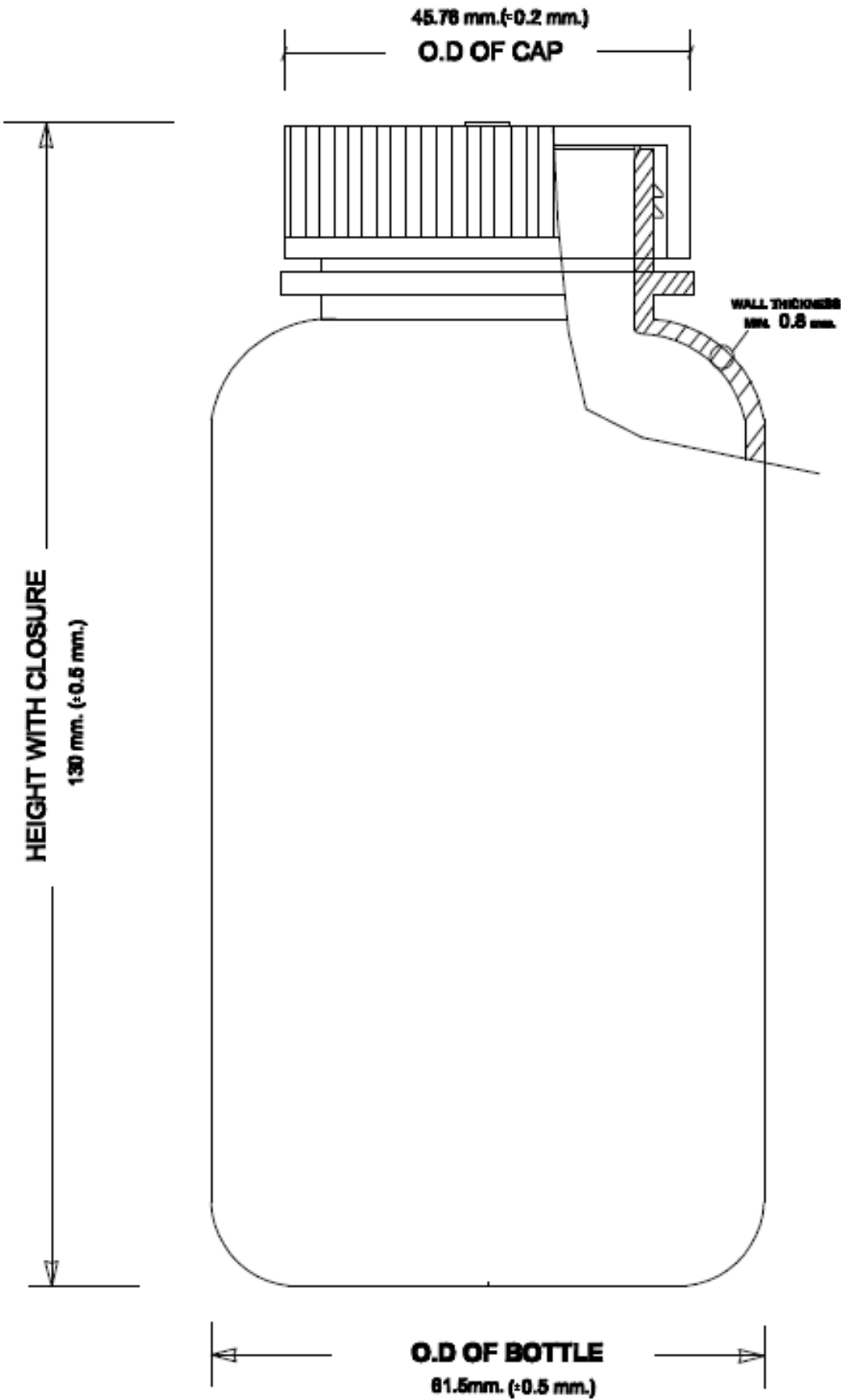
60 ml wide mouth bottle made of LDPE, HDPE and PP



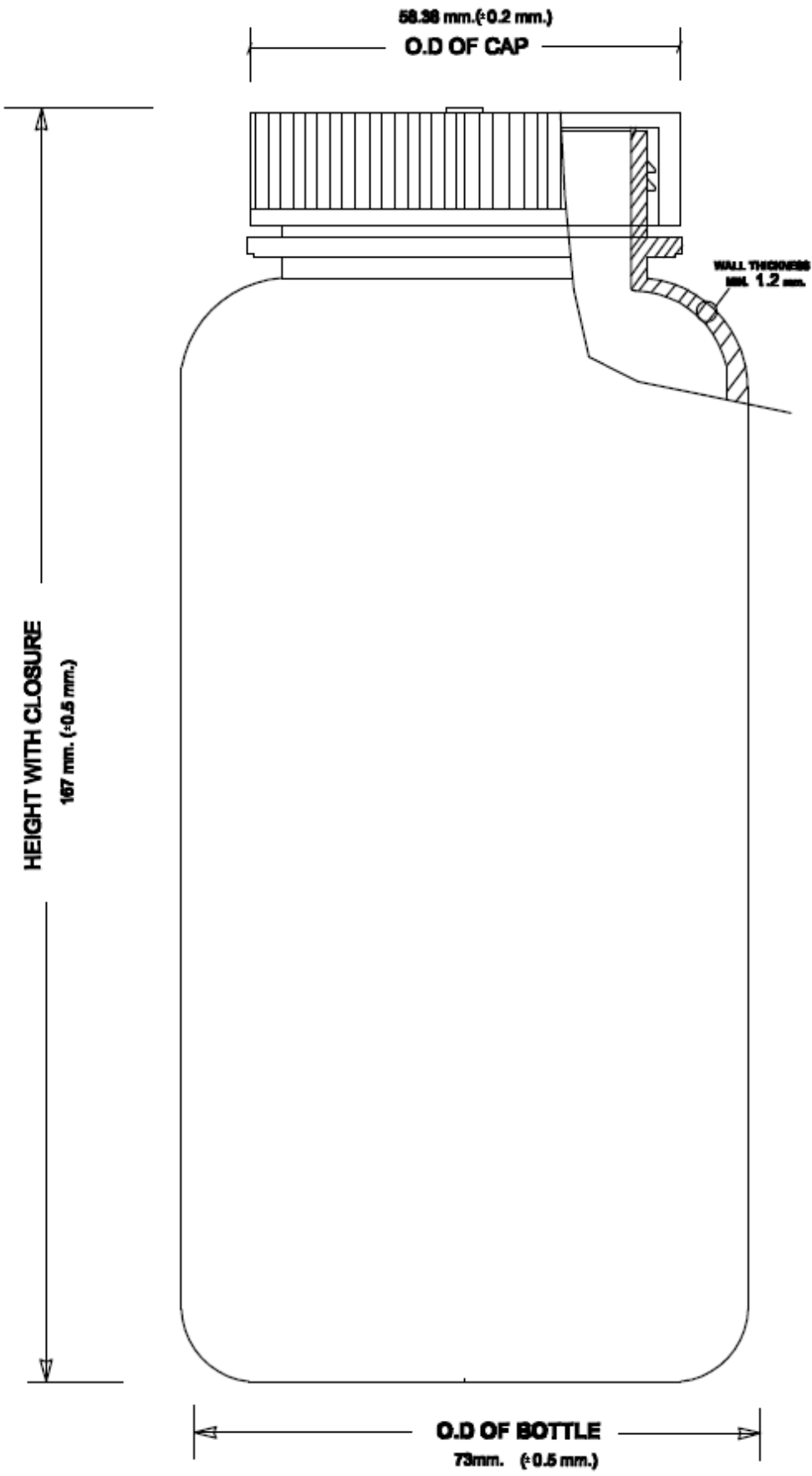
125 ml wide mouth bottle made of LDPE, HDPE and PP



**250 ml wide mouth bottle made of LDPE, HDPE and PP**



**500 ml wide mouth bottle made of LDPE, HDPE and PP**



1,000 ml wide mouth bottle made of LDPE, HDPE and PP

