

Technical drawings of LABSOLUTE® narrow mouth bottles

V ml	V _{max} ml	m g	h mm	Ø _{out} bottle mm	Ø _{out} closure mm	Ø _{in} closure mm	S mm
4	4.3	2.6	41	15.8	15.7	n. a.	0.7
8	12	6	45	25	23.7	20	0.6
15	18	7.1	58.65	25	23.7	20	0.6
30	34	10.2	62.3	36.4	23.7	20	0.7
60	65	14	85.4	40.1	23.7	20	0.7
125	140	21.5	100	51.5	28.2	24	0.8
250	260	34	133.5	61.5	28.2	24	1
500	525	58.3	170	73	32.2	28	1.0
1,000	1,060	100	216	93.3	42.1	38	1.1

Description of the abbreviations in the value table:

V	Nominal volume of the bottle
V _{max}	Maximum filling volume of the bottle
m	Weight of the bottle incl. screw cap
Ø _{out} closure	Outer diameter of the screw cap
Ø _{in} closure	Inner diameter of the screw cap
Ø _{out} bottle	Outer diameter of the bottle
S	Wall thickness of the bottle

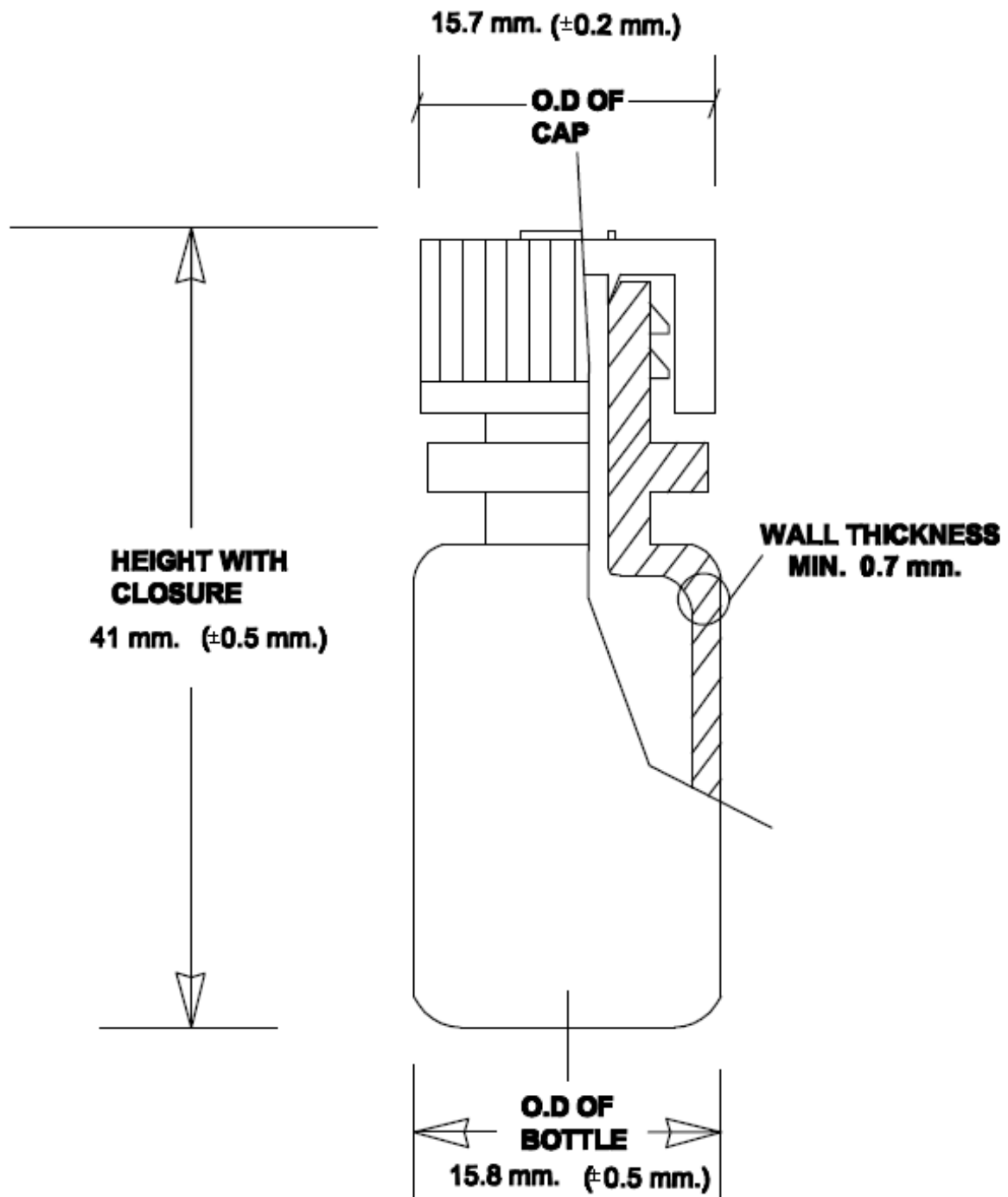
Please find the units of the different values in the headline below the description..

Description of the abbreviations in the technical drawings:

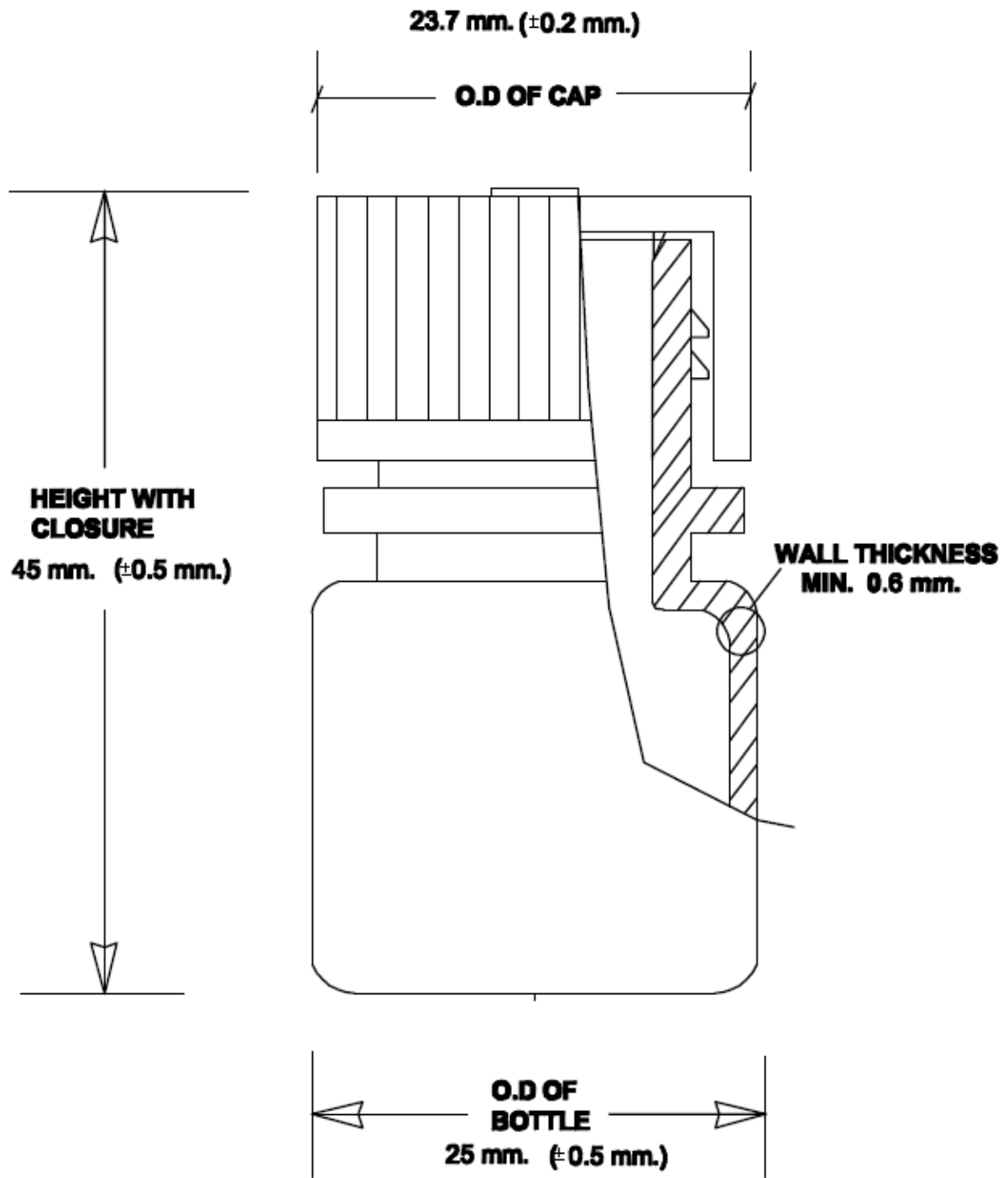
O.D. Cap	Outer diameter of the screw cap
O.D. Bottle	Outer diameter of the bottle
Height with Closure	Height of the bottle incl. screw cap
Wall thickness	Wall thickness of the bottle

All values in the technical drawings are given in millimeter. Allowed tolerances are written in brackets. The deviation can decrease or increase the nominal value.

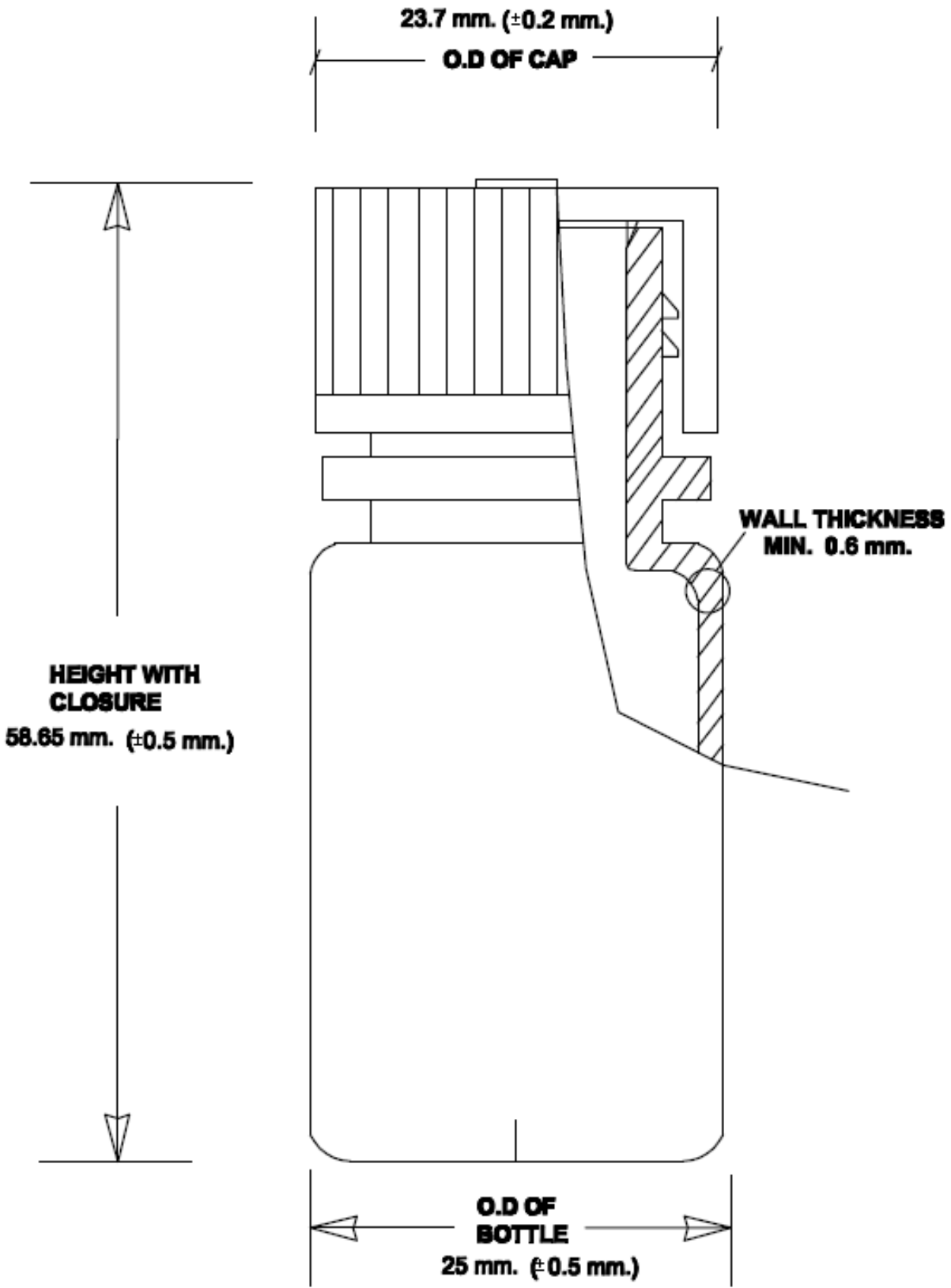
4 ml narrow mouth bottle made of LDPE, HDPE and PP



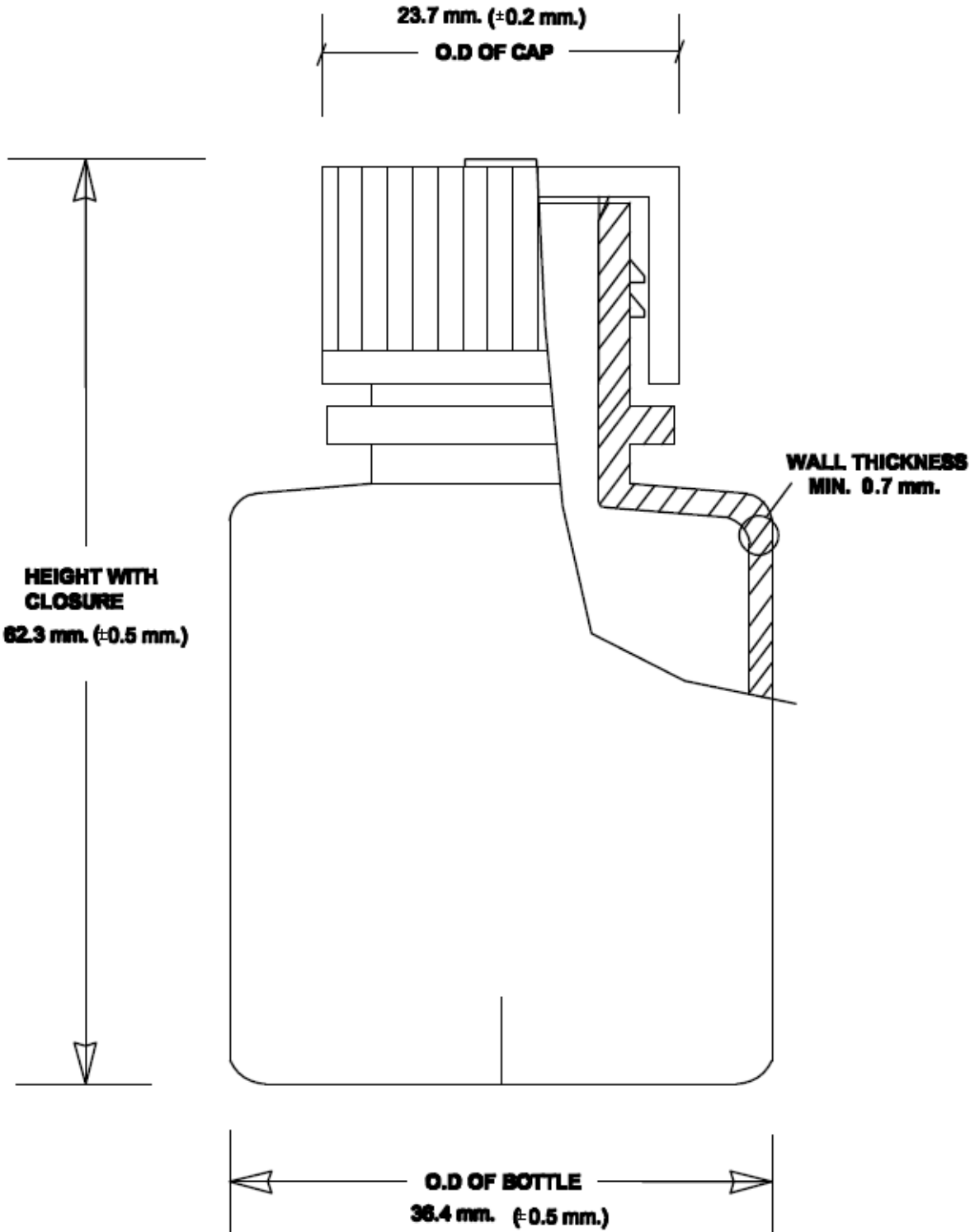
8 ml narrow mouth bottle made of LDPE, HDPE and PP



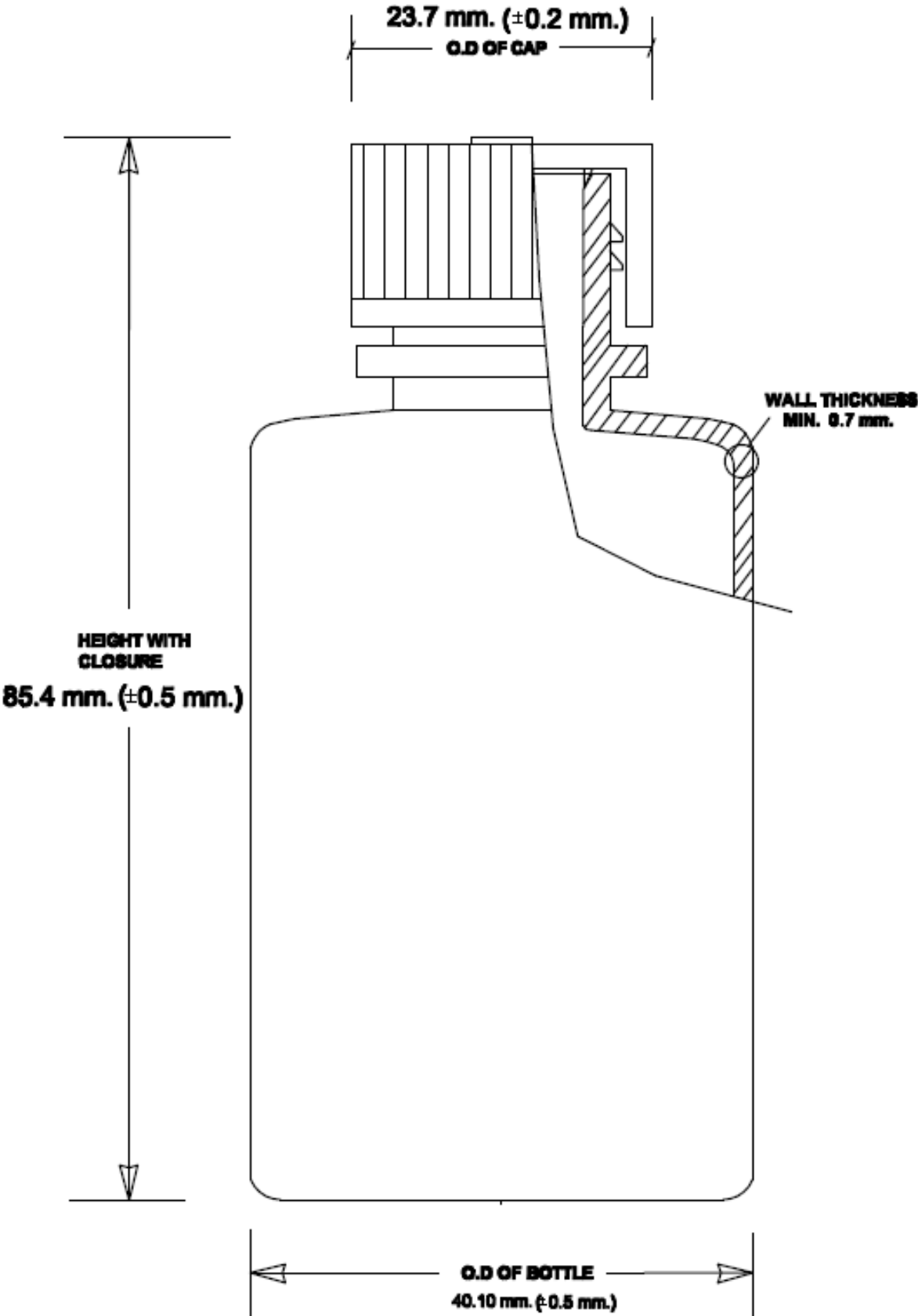
15 ml narrow mouth bottle made of LDPE, HDPE and PP



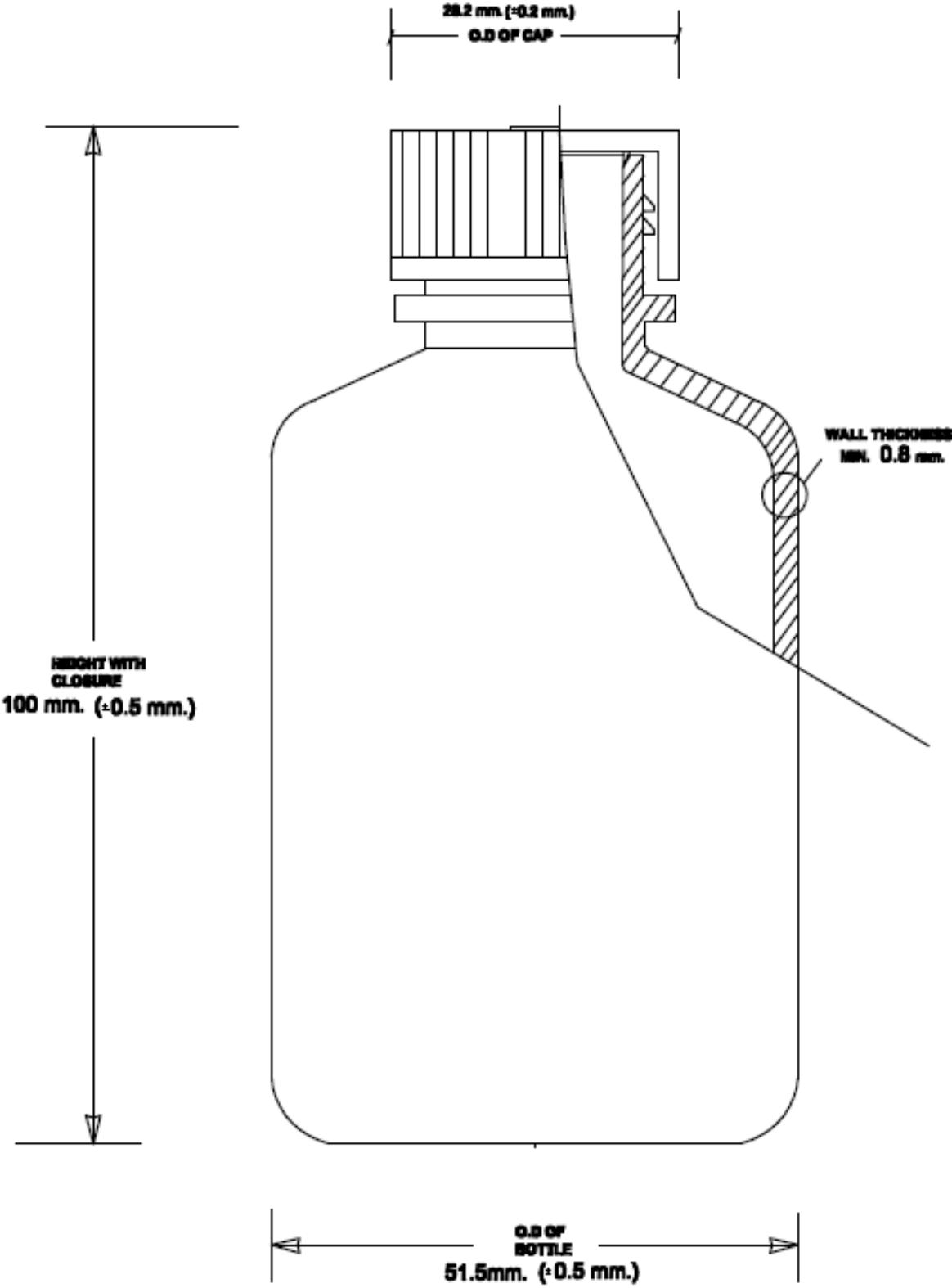
30 ml narrow mouth bottle made of LDPE, HDPE and PP



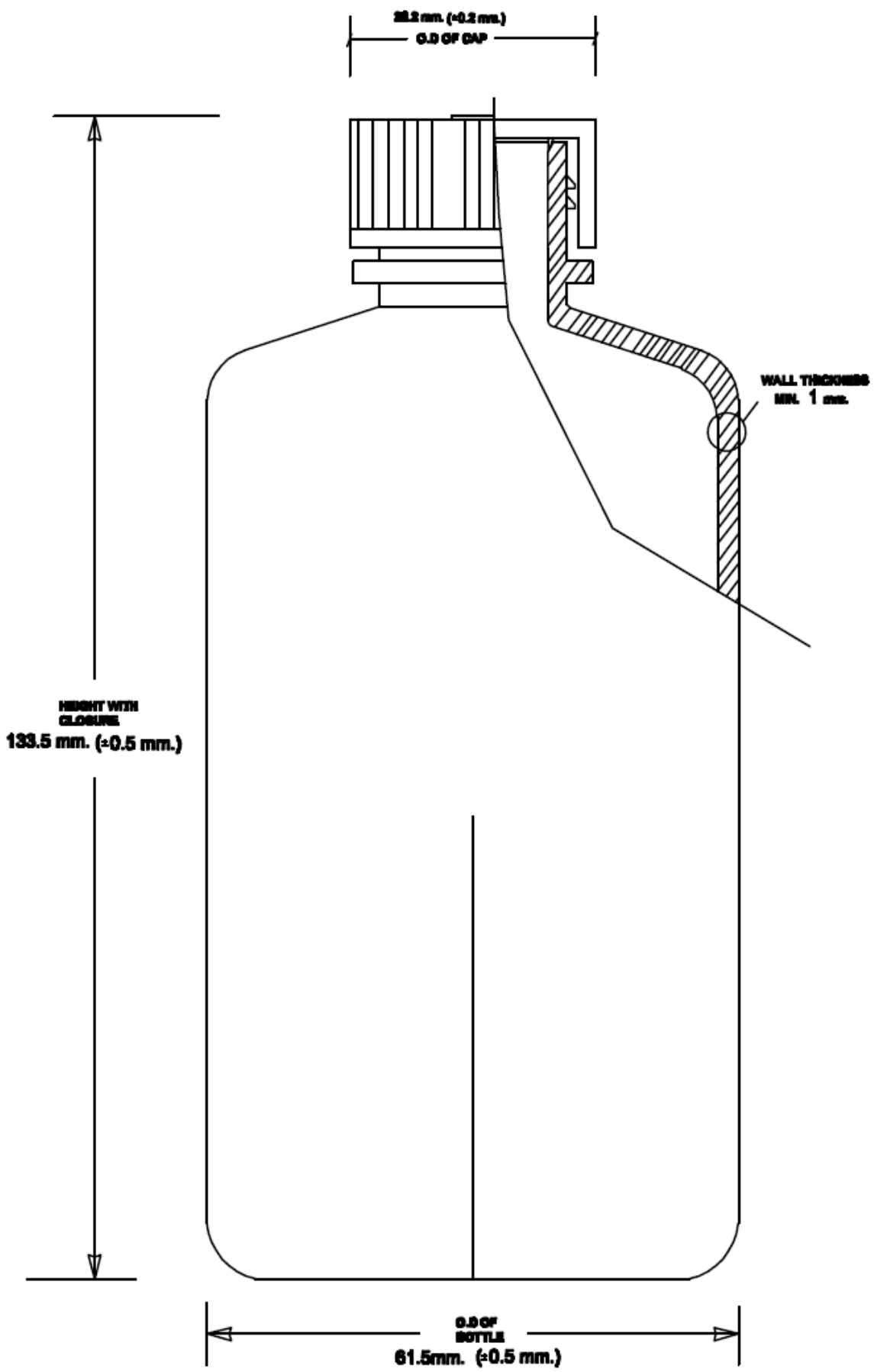
60 ml narrow mouth bottle made of LDPE, HDPE and PP



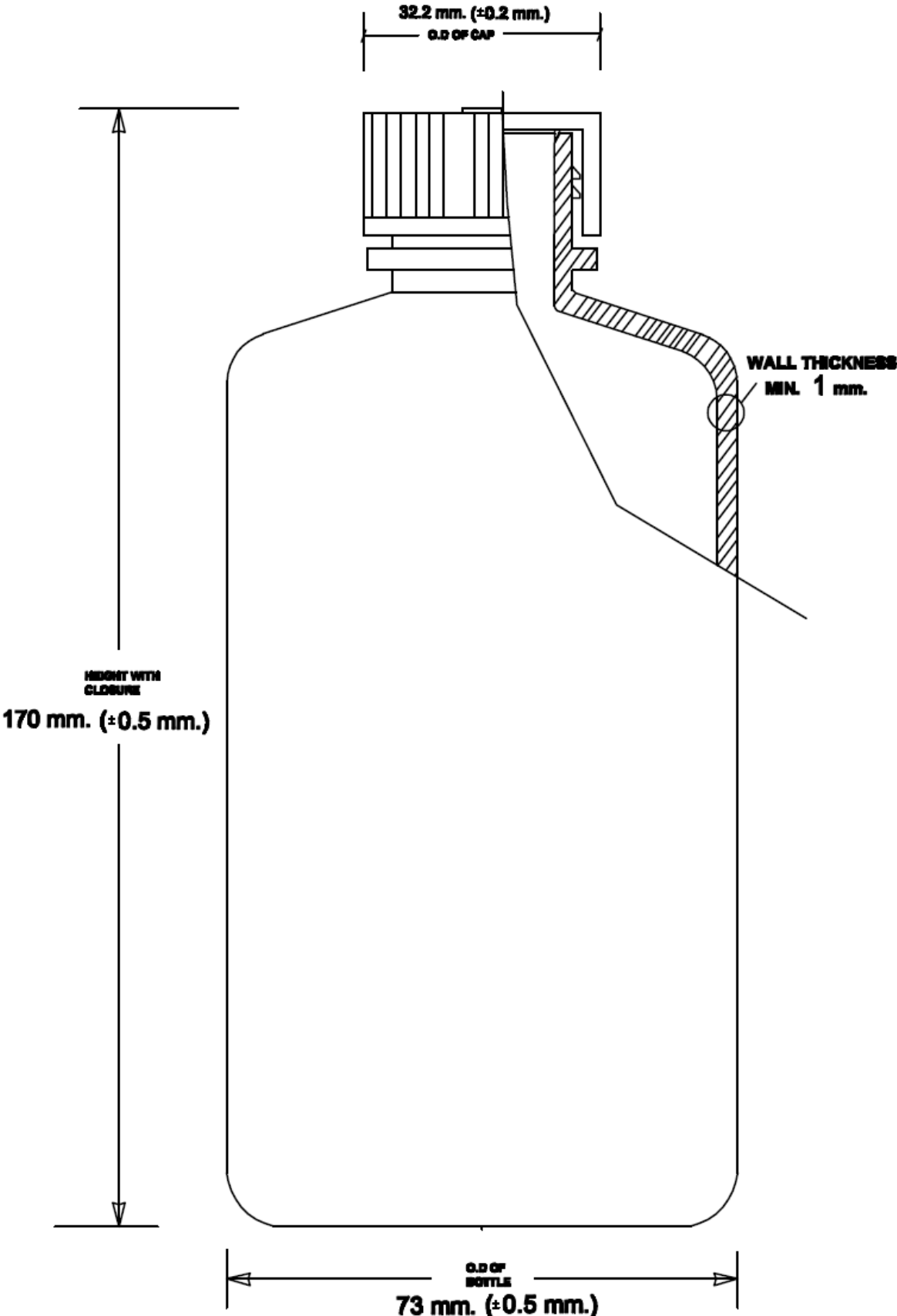
125 ml narrow mouth bottle made of LDPE, HDPE and PP



250 ml narrow mouth bottle made of LDPE, HDPE and PP



500 ml narrow mouth bottle made of LDPE, HDPE and PP



1,000 ml narrow mouth bottle made of LDPE, HDPE and PP

