

LABSOLUTE[®] BUCHNER FUNNEL

Properties:

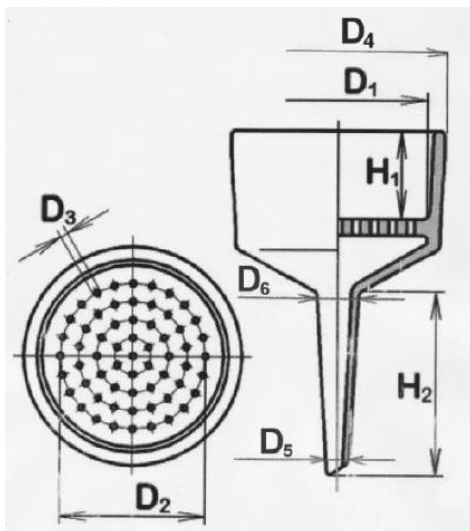
- Made of high-quality porcelain C110 with a density $\rho = 2.4 \text{ g/cm}^3$
- According to DIN 12905
- Glazed
- Dishwasher-proof and autoclaveable at 121 °C
- Very high resistance against a wide range of chemicals especially acids and lyes
- High temperature resistance up to 1,000 °C (= 1,832 °F)

Accessories / Application:

Buchner funnels are mainly used for filtration. You need a suitable circular filter paper which is put on the perforated plate. The Buchner funnel is normally used in combination with a filter flask. The contact area between the funnel and the filter flask is sealed with a rubber cone. If necessary you can apply vacuum to the filter flask to speed up the filtration process.

Filter papers, rubber cones and filter flasks are also part of our LABSOLUTE[®] assortment.

Technical drawing / Picture:



Th. Geyer GmbH & Co. KG

Value table:

Item no.	V ml	H1 mm	H2 mm	Ø1 mm	Ø2 mm	Ø3 mm	Ø4 mm	Ø5 mm	Ø6 mm	Filter- Ø mm
7.694 954	35	24	43	48	38	1	56	14	17	45
7.694 955	70	30	64	62	45	1	71	15	17	55
7.694 956	90	35	64	77	58	1	88	15	17	70
7.694 957	240	40	71	97	70	2	110	17	21	90
7.694 958	400	49	83	116	95	2	135	23	27	110
7.694 959	600	52	85	130	110	2	153	24	29	125
7.694 960	1,000	59	96	156	130	2	180	27	32	150
7.694 961	2,000	74	117	192	160	2	221	34	28	185
7.694 962	4,000	90	117	248	220	2	280	38	33	240
7.694 963	7,000	105	130	296	260	2	332	39	36	270
7.694 964	10,000	120	133	334	300	2	370	43	38	320

Description of the abbreviations in the value table:

Item no.	Item number
V	Nominal volume of the Buchner funnel in ml
H1	Distance between the perforated plate and the upper edge of the funnel in mm
H2	Length of the stem in mm
Ø1	Inner diameter of the funnel in mm
Ø2	Radius of the outer bolt circle in mm
Ø3	Diameter of the holes in the perforated plate in mm
Ø4	Outer diameter of the funnel in mm
Ø5	Diameter of the stem at its bottom end in mm
Ø6	Diameter of the stem at its up end in mm
Filter- Ø	Diameter of the suitable circular filter paper in mm

Note:

Please make sure that the funnel is not damaged before you use it. Even small scratches or hairline cracks can cause a total damage of the funnel, if vacuum or high temperature is applied to it.

Revision 1.0, Stand: 25.07.2017

Th. Geyer GmbH & Co. KG