

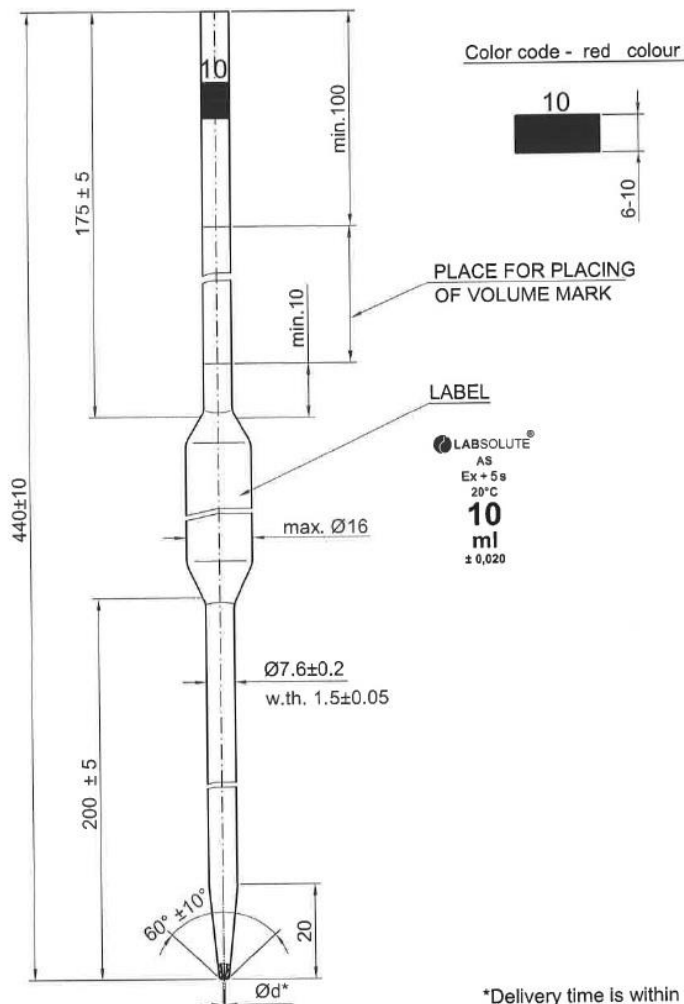
LABSOLUTE® VOLUMETRIC PIPETTES, CLASS AS

1 mark, amber graduation

Properties:

- Made of soda-lime glass
- Acc. to ISO 835
- Calibrated to „Ex +5s“ (20 °C)
- Labelling with amber diffusion dye
- Very high resistance against a wide range of chemicals
- With batch number, certificate is available on request

Technical drawing / picture:



Th. Geyer GmbH & Co. KG

Value table:

Item no.	V ml	Error ± ml	Colour	h mm
7.691 040	1	0.008	Blue	310
7.691 041	2	0.010	Orange	330
7.691 042	3	0.010	Black	360
7.691 048	4	0.015	Red stripes	360
7.691 043	5	0.015	White	400
7.691 044	10	0.020	Red	440
7.691 049	15	0.030	Green	455
7.691 045	20	0.030	Yellow	510
7.691 046	25	0.030	Blue	520
7.691 047	50	0.050	Red	540
7.691 057	100	0.080	Yellow	585

Description of the abbreviations in the value table:

Item no.	Item number
V	Nominal volume of the volumetric pipettes
Error	Permitted tolerance for class A acc. to standard (± ml)
Color	Colour coding acc. to ISO 1769
h	Maximum length of the volumetric pipette

LABSOLUTE® graduated pipettes are highly resistant against water, neutral and acid solutions, strong acids and their mixtures, chlorine, bromine, iodine and organic substances, also at temperatures of more than 100 °C and longer time of exposure. Contact with hydrofluoric acid, hot phosphoric acid and alkaline solutions can cause damage to the pipettes even if the time of exposure is very short. This damage of the surface can cause a change of the calibrated volume.

Cleaning with alkaline detergents at temperatures of less than 70 °C is recommended. Rinsing time should be kept to a minimum when using alkaline cleaning agents. There can be an abrasion of the glass surface already at 50 °C when the pipettes are treated with alkaline detergents for a longer time. This abrasion leads to a change of the calibrated volume.

Recommendation: Cleaning at more than 90 °C without any cleaning agents (hot water cleaning).

Revision 1.0, Stand: 18.08.2017

Th. Geyer GmbH & Co. KG