

LABSOLUTE[®] CONDENSER ACC. TO DIMROTH with PP olives

Properties / Helpful hints:

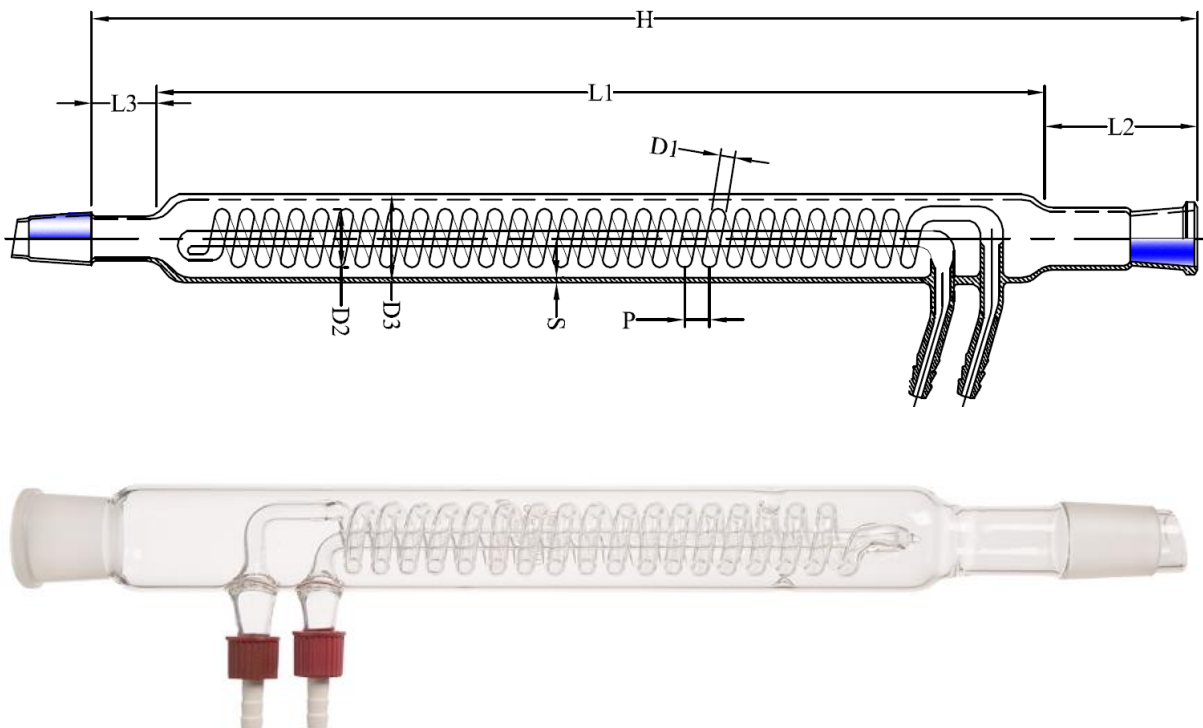
- Made of borosilicate glass 3.3
- According to DIN 12591
- With PP olives and GL14 screw connectors
- Perfect chemical resistance
- High temperature resistance

Perfect for the use in field of distillation, chemical synthesis and reflux boiling.

The choice of the right condenser type depends on the boiling point of the used substances. The longer a condenser is, the higher is its cooling power.

A tube (for example made of natural rubber or silicone) is recommended to connect a condenser with PP olives to the water tap. If you have a condenser with glass olives a tube with an internal diameter of 8-9 mm should be used. Please use a suitable hose clamp to protect the tube against slipping off from the olives.

Technical drawing / picture:



Th. Geyer GmbH & Co. KG

Value table:

Item no.	NS	L1 mm	L2 mm	L3 mm	Ø2 mm	Ø3 mm	S mm	n _{Coil}
7.690 300	14/23	160	80	40	30	40	2	9
7.690 301	29/32	250	80	40	30	40	2	18
7.690 302	29/32	400	80	40	30	40	2	33

Description of the abbreviations in the value table:

Item no.	Item number
NS	Nominal size of the ground joint of socket and cone
L1	Length of the cooled area in millimeter (mm)
L2	Length above the cooled area in millimeter (mm)
L3	Length below the cooled area in millimeter (mm)
H	Total length of the condenser in millimeter (sum of L1 + L2 + L3; mm)
Ø2	Diameter of the helix in millimeter (mm)
Ø3	Diameter of the condenser in millimeter (mm)
S	Minimum thickness of the glass in millimeter (mm)
n _{Coil}	Numbers of coil revolution

Other values (Ø1, P) are available on request.

Physical properties of borosilicate glass 3.3 acc. to ISO 3585:

Properties	Value
Linear coefficient of thermal expansion α (20°C;300°C) acc. to ISO 7991	$3.3 \cdot 10^{-6} \text{ K}^{-1}$
Transformation temperature T_g	525 °C
Permitted max. working temperature	500 °C
Density ρ (20 °C)	2.23 g/cm ³
Coefficient of thermal conductivity λ (20 to 100 °C)	1.2 Wm ⁻¹ K ⁻¹
Hardness (according to Mohs)	6°
Refractive index nD ($\lambda = 587.6 \text{ nm}$)	1.473

Revision 1.0, Stand: 17.07.2017

Th. Geyer GmbH & Co. KG