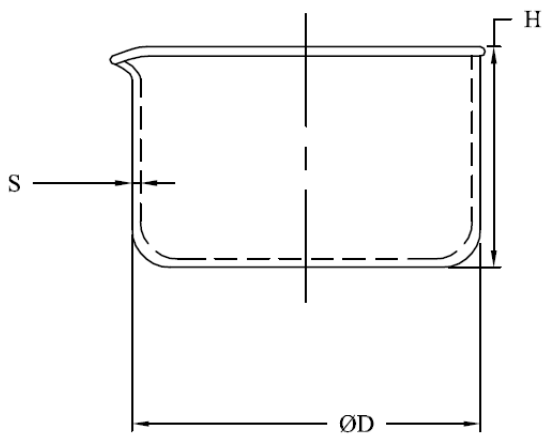


LABSOLUTE® CRYSTALLIZING DISHES with spout

Properties:

- Made of borosilicate glass 3.3
- According to DIN 12338
- Permanent, white volume scale & labelling field
- Functional spout and flat bottom
- Dishwasher proof and autoclavable at 121 °C
- Very high resistance against a wide range of chemicals
- High temperature resistance up to 500 °C

Technical drawing / picture:



Value table:

Item no.	V ml	H* mm	Ø* mm	S mm
7.690 250	20	25	40	0.8
7.690 251	40	30	50	0.8
7.690 252	60	35	60	0.8
7.690 253	100	40	70	1.0
7.690 254	150	45	80	1.0
7.690 255	300	55	95	1.0
7.690 256	500	65	115	1.2
7.690 257	900	75	140	1.2
7.690 258	2,000	90	190	1.2

* ± 2 mm

Description of the abbreviations in the value table:

Item no.	Item number
V	Nominal volume of the crystallizing dishes
H	Max. height of the crystallizing dishes
Ø	Max. upper diameter of the crystallizing dishes without spout
S	Max. wall thickness of the crystallizing dishes

In spite of the low coefficient of thermal expansion of borosilicate glass 3.3, temperature shocks have to be avoided in any case. Temperature shocks can lead to a breakage of the glass and cause therefore a higher risk of bad injuries.

Further information is part of the declaration of conformity.

Revision 1.0, Stand: 24.04.2018

Th. Geyer GmbH & Co. KG