

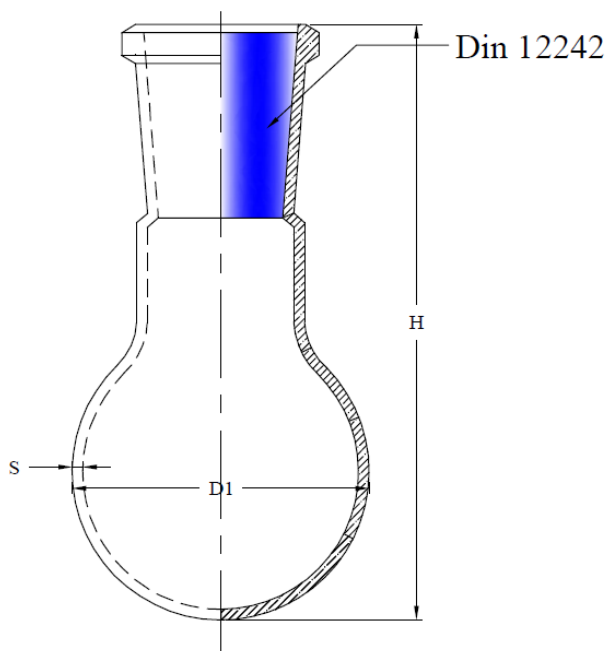
LABSOLUTE[®] ROUND BOTTOM FLASKS

one neck, with standard ground joint

Properties:

- Made of borosilicate glass 3.3
- According to DIN EN ISO 4797
- With standard ground joint
- Permanent, white volume scale & labelling field
- Dishwasher proof and autoclavable at 121 °C
- Very high resistance against a wide range of chemicals
- High temperature resistance up to 500 °C
- Ideal for a consistent heating of liquids

Technical drawing / picture:



Th. Geyer GmbH & Co. KG

Value table:

Item no.	V ml	H mm	D mm	NS	S mm
7.690 100	10	70	33	14/23	0.8
7.690 101	25	85	41	14/23	0.8
7.690 102	50	90	51	14/23	0.8
7.690 103	50	90	51	29/32	0.8
7.690 104	100	105	64	14/23	0.8
7.690 105	100	105	64	29/32	0.8
7.690 106	250	140	85	29/32	0.9
7.690 107	500	163	105	29/32	0.9
7.690 108	1,000	200	131	29/32	1.3
7.690 109	2,000	240	165	29/32	1.5

Description of the abbreviations in the value table:

Item no.	Item number
V	Nominal volume of the round bottom flask
NS	Nominal size of the joint
D	Max. diameter of the round bottom flask
H	Max. height of the round bottom flask
S	Max. thickness of the wall of the round bottom flask

Further information is part of the declaration of conformity.

Revision 1.0, Stand: 01.08.2017

Th. Geyer GmbH & Co. KG