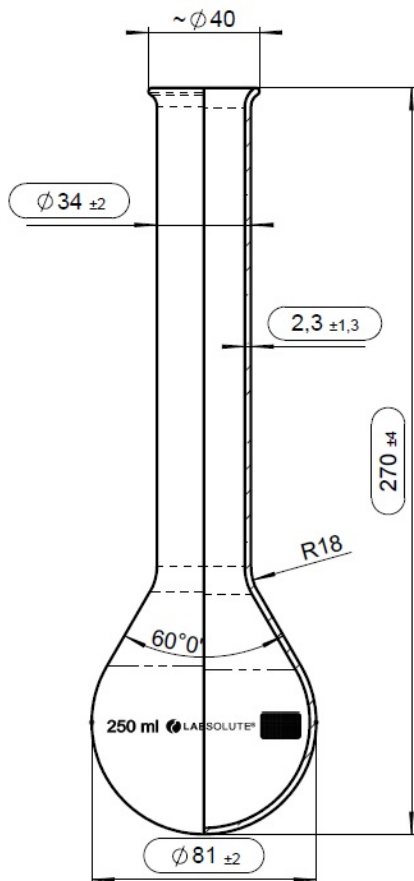


## LABSOLUTE<sup>®</sup> KJELDAHL FLASKS with beaded rim

### Properties:

- Made of borosilicate glass 3.3
- With beaded rim
- Dishwasher proof and autoclaveable at 121 °C
- Very high resistance against a wide range of chemicals
- High temperature resistance up to 500 °C

### Technical drawing / picture:



Th. Geyer GmbH & Co. KG

**Value table:**

Item no.	V ml	Ø <sub>1</sub> mm	Ø <sub>2</sub> mm	h mm
7.690 070	100	60	34	200
7.690 071	250	81	34	270
7.690 072	500	101	34	300

**Description of the abbreviations in the value table:**

Item no.	Item number
V	Nominal volume of the Kjeldahl flasks
Ø <sub>1</sub>	Max. diameter of the Kjeldahl flasks
Ø <sub>2</sub>	Max. diameter of the neck without beaded rim
h	Max. height of the Kjeldahl flasks

**Notes:**

The LABSOLUTE® Kjeldahl flasks comply with the requirements of the European pharmacopoeia 7 for glass type I.

The Kjeldahl flasks are used to determine organically bound nitrogen in different samples in the field of foodstuff, agriculture, pharmaceuticals, sewage water, environment, universities etc.

Nowadays most of the Kjeldahl applications are done semi or fully automatic. Therefore the need of standard Kjeldahl flasks is less.

**Revision 1.0, Stand: 22.08.2017**

**Th. Geyer GmbH & Co. KG**