

Technical Datasheet

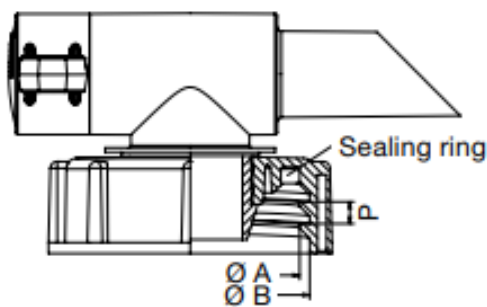
Article no. 154

Dispensing tap for canister with DIN 45 thread

Properties

- Easy, fast and clean dispensing without gurgling due to the ventilation system
- Drip-off edge for convenient and clean dispensing even into narrow bottle necks
- Smooth moving lever for easy operability
- Excellent impermeability
- Resistance to a wide range of chemicals

Technical drawing / picture / data



Data	
Dimensions	Ø A = 41.1 mm / Ø B = 45.1 mm P = 4 mm (thread pitch)
Thread size	DIN 45
Flow rate	≥ 5 L / min

Materials	
Housing, cover cap, reducing cap, adapter	Polyethylene (PE)
Lever, cap nut	Polypropylene (PP)
Sealing ring for cap nut	EPE

Chemical resistance
Our products have a high chemical resistance when used with various liquids. However, we cannot guarantee complete chemical resistance of specific applications. We therefore recommend that you carry out your own tests before use.